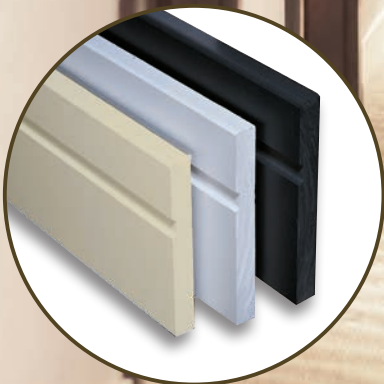


**Virtually indestructible,
environmentally friendly and
an attractive approach to total
wall protection**

DUROBASE is the unique wall protection system, brought to you by Parkland™ Plastics, that is virtually indestructible and visually appealing. The system, consisting of base molding and chair rail provides cost-effective wall protection. The color goes all the through so scratches will not show, resulting in extended product life. It's the only such system that is totally waterproof, mold resistant and very low maintenance.



THE BEST WALL PROTECTION MONEY CAN BUY

The DUROBASE-FR line is made from durable extruded PVC so it's Class A fire-rated (ASTM E-84) and 100 percent recyclable. This line is the perfect solution for projects where budget friendly, yet durable base moldings and/or chair rails are required. The attractive black finish hides scratches and is durable enough to withstand tough impacts, so it's an ideal way to economically protect walls from forklifts, skids, carts, dollies and luggage.

The PLAS-TEX® DUROBASE line is a product of proprietary Parland technology that involves recycling polyethylene and polypropylene into a fiber-glass free material that can be recycled as grade #7. It addresses Green Building concerns and has been well received for use in retail shopping centers, warehouses, manufacturing facilities, hotels, motels, commercial kitchens, nursing homes and a host of other applications. This line can be specified in several attractive architectural colors, including black, gray and white.

100% waterproof, the DUROBASE Wall Protection System consists of base molding and chair rail and is available in a variety of thickness, heights and lengths (see specifications online).

BASEBOARD	Virtually Indestructible	Protects Walls from Forklift Damage	Waterproof & Resists Mold	Maintenance-Free	Color-Matching Versatility	Completely Customizable	Average Lifespan (Years)
Vinyl Cove Base			●	●	●		1
Ceramic Tile			●	●			3
Wood/Lumber							3
DUROBASE	●	●	●	●	●	●	8

FEATURES:

- Virtually indestructible, industrial strength baseboards
- 100% Waterproof
- Fiberglass free
- Does not support mold, mildew, or bacteria growth
- Chemically inert
- Color goes all the way through
- Made from 100% recycled resins – PLAS-TEX DUROBASE
- USDA compliant / CFIA approved

BENEFITS:

- Protects walls from forklift, skid, cart, dolly, and luggage damage
- Non-absorbent: no swelling, rotting, or water discoloration
- No irritating, harmful fiberglass dust
- Hygienic: does not contribute to “sick building syndrome”
- Not affected by acids, harsh chemical solvents or petroleum products
- Scratches don't show - makes for extended product life
- Passes most interior building codes
- Contributes to Green Building: scrap can be recycled as grade #7 – PLAS-TEX DUROBASE

PRODUCT RANGE

Thicknesses: 1/4", 3/8", 5/8"
 Widths: up to 12" high
 Lengths: up to 12'
 In Stock: varies
 Other sizes available with minimum order

COLORS

Black
 Other colors available with minimum order.



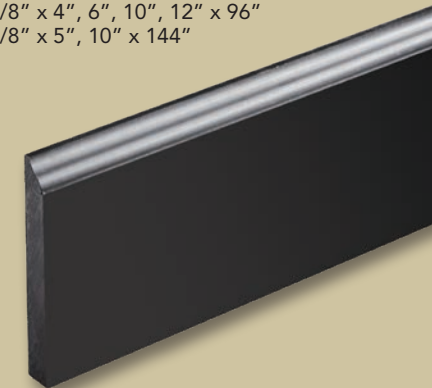
FLAT BASE



BASE WITH REVEAL

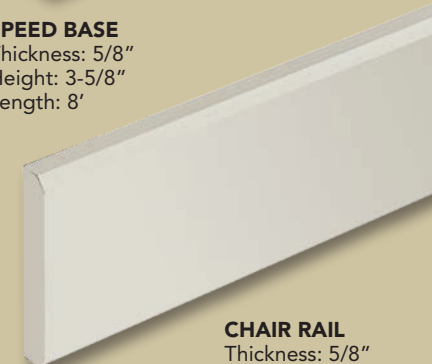
BASE

1/4" x 6" x 96"
 5/8" x 4", 6", 10", 12" x 96"
 3/8" x 5", 10" x 144"



SPEED BASE

Thickness: 5/8"
 Height: 3-5/8"
 Length: 8'



CHAIR RAIL

Thickness: 5/8"
 Height: 3"
 Length: 8'



PRODUCT CERTIFIED FOR LOW CHEMICAL EMISSIONS: UL COMIGG UL 2818

